



INSTRUMENT SPECIALISTS, INC.

PRICE LIST FOR ISI PRODUCTS
Effective 01/01/2025



TERMS

EVALUATIONS:

Many ISI Hand Surgery Tables are available for 30 day evaluations at no cost or obligation. A no-charge purchase order is needed for record-keeping purposes. Once the purchase order for evaluation is received, a table is shipped and the 30-day evaluation period begins once delivery is accepted. At the end of the 30 days, the table may be purchased or returned to ISI. Any damages or loss of the tables and/or parts will be the responsibility of the evaluating party and will be billed accordingly.

PAYMENT TERMS: 2% 15, Net 30 days.

FREIGHT: Freight is prepaid and added to the invoice, shipped via UPS or Federal Express, unless otherwise requested. Allow two weeks for delivery.

WARRANTY: Instrument Specialists, Inc warrants this product to be free from defects in workmanship and materials, under normal use and conditions, for a period of one (1) year from the original invoice date. Improper use, neglect in care, or modifications of any kind will void any and all warranties of the product(s). Shipping and handling fees are to be paid for by the customer. ISI agrees, at its option during the warranty period, to repair any defect in material or workmanship or to furnish a repaired or refurbished product of equal value in exchange without charge (except for a fee for shipping, handling, packing, return postage, and insurance which will be incurred by the customer). Such repair or replacement is subject to verification of the defect or malfunction and proof of purchase as confirmed by showing the model number and serial number on the original dated sales receipt.

PRICE CHANGES: Prices may change at any time. However, written notification of price changes will be attempted 30 days in advance of the change.

K Table Series and Accessories

30 DAY TRIALS AVAILABLE



Stock No.	DESCRIPTION	Price
AUT-5000	Advanced Universal K Table: Carbon Fiber Top, Standard Mounting Brackets w/ Double Support Leg	\$3,000
AUT-5100	Advanced Universal K Table: Carbon Fiber Top, Standard Mounting Brackets w/ Single Post Leg	\$2,894
AUT-5200	Advanced Universal K Table: Carbon Fiber Top, Under Pad Mounting Bracket w/ Double Support Leg	\$3,000
AUT-5300	Advanced Universal K Table: Carbon Fiber Top, Under Pad Mounting Bracket w/ Single Post Leg	\$2,894
AUT-5600	Advanced Universal K Table: Carbon Fiber Top, Stretcher Mounting Brackets w/ Single Post Leg	\$2,894
AUT-5700	Advanced Universal K Table: Carbon Fiber Top, Stretcher Mounting Brackets w/ Double Support Leg	\$3,000
AUT-6000	Advanced Universal K Table: Carbon Fiber Top, Standard Mounting Brackets W/ T-Post Leg	\$3,000
AUT-6100	Advanced Universal K Table: Carbon Fiber Top, Under Pad Mounting Bracket w/ T-Post Leg	\$3,000
AUT-SB-5000	Advanced Universal K Table with Slider Brackets: Carbon Fiber Top, Adaptable Sliding Brackets w/ Double Support Leg	\$3,618
AUT-SB-5100	Advanced Universal K Table with Slider Brackets: Carbon Fiber Top, Adaptable Sliding Brackets w/ Single Post Leg	\$3,395
AUT-SB-6000	Advanced Universal K Table with Slider Brackets: Carbon Fiber Top, Adaptable Sliding Brackets w/ T- Post Leg	\$3,395
K-3510	Universal K Table: Lexan Top, Standard Mounting Brackets W/ Double Support Leg	\$2,555
K-3810	Universal K Table: Lexan Top, Stretcher Brackets w/ Single Post Leg	\$2,371
K-3910	Universal K Table: Lexan Top, Stretcher Mounting Brackets w/ Double Support Leg	\$2,666
K-4500	Universal K Table: Lexan top, Standard Mounting Brackets w/ Single Post Leg	\$2,371
K-5500	Universal K Table: Lexan Top, Standard Mounting Brackets w/ T- Post Leg	\$2,555
K-5600	Universal K Table: Lexan Top, Under Pad Mounting Bracket w/ T- Post Leg	\$2,555

PADS NOT INCLUDED (see page 2)



AUT-5000



AUT-5100

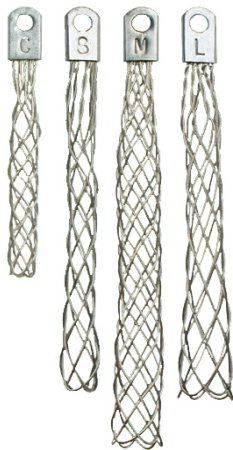


K-3510

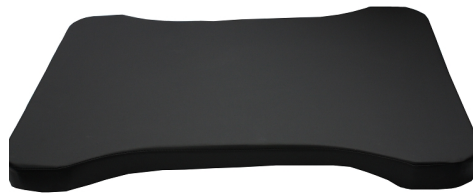




Stock No.	OPTIONS	Price
PD-200	Foam Pad: 2" contoured for use with K Tables, 36" x 23" x 2"	\$240
PD-225	Foam Pad 1" contoured for use with K tables, 36" x 23" x 1"	\$251
PD-250	Foam Pad: 4" contoured for use with K Tables, 36" x 23" x 4"	\$307
K-705	Universal Under-Pad Mounting Piece: Flat, triangular mounting piece that attaches to the K Tables and slides under O.R. table mattress or stretcher pad. Patient's weight holds the mounting piece in place. Includes two knobs. May be used with or without the standard side rail mounts.	\$229
K-3650	Traction Package: Detachable traction rollerbar and detachable traction cup, set of weights, four stainless steel finger traps with chain, four S-hooks, and carrying case.	\$752
STR-1000	Specialty Table Rack: wall-mount storage unit for many of the ISI hand tables.	\$357
SL-2001	Standard Leg - Single Post	\$918
SL-2002	Standard Leg - Double Support	\$1,014
SL-2003	Standard T- Post Leg	\$951
REPLACEMENT PARTS AND ACCESSORIES		
K3160	Traction Rollerbar: detachable traction rollerbar for K Tables.	\$319
TCR-101 UL/SS	Detachable Traction Cup: Metal cup for mounting to leg of K Tables for addition of Traction Rollerbar.	\$377
0350	½ Pound Weight (Tan)	\$21
0352	1 ½ Pound Weight (Red)	\$25
0354	2 ½ Pound Weight (Blue)	\$28
0357	5 Pound Weight (Gold)	\$36
K3270	Traction S-Hooks: Stainless steel hook for connecting finger trap chains to weights. Set of two per package.	\$54
TC-100	Traction Chain with Rings: Stainless steel chain that connects finger traps to traction S-hooks. Rings on both ends. Price per chain.	\$14
K3278	Stainless Steel Finger Trap. Extra-small (pediatric). Sold individually.	\$62
K3280	Stainless Steel Finger Trap. Small. Sold individually.	\$62
K3285	Stainless Steel Finger Trap. Medium. Sold individually.	\$62
K3290	Stainless Steel Finger Trap. Large. Sold individually.	\$62
K3300	Set of Stainless Steel Finger Trap. 1 of each size.	\$247
UL-500L	Universal Bracket Left Complete	\$531
UL-500R	Universal Bracket Right Complete	\$531
UL-502B	Rail Clamp with knob	\$237
KB-600 UL	Small Star Knob - Pkg of 2	\$40



K3300



PD-200



STR-1000



ISI Ultra-Light Specialty Table and Self Supporting Arm Table



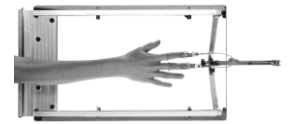
Stock No.	DESCRIPTION	Price
UL-8500	Ultra Light BUNDLE - Table w/ Single Post Leg, 2" Pad, Traction Pkg, and Specialty Table Rack	\$4,337
UL-8000	Ultra-Light Specialty Table Carbon Fiber Top, Standard Mounting Brackets w/ No Leg	\$2,333
UL-8050	Carbon Fiber Top, Standard Mounting Brackets w/ Single Post Leg	\$2,828
UL-8100	Carbon Fiber Top, Standard Mounting Brackets w/ Double Support Leg	\$2,950
UL-8150	Carbon Fiber Top, Under Pad Mounting Bracket w/ Single Post Leg	\$2,828
UL-8200	Carbon Fiber Top, Under Pad Mounting Bracket w/ Double Support Leg	\$2,950
UL-8300	Carbon Fiber Top, Standard Mounting Brackets w/ T- Post Leg.	\$2,950
UL-8400	Carbon Fiber Top, Under Pad Mounting Bracket w/ T- Post Leg	\$2,950
UL-SB-9000	Carbon Fiber Top, Adaptable Sliding Brackets No Leg	\$2,828
UL-SB-9050	Carbon Fiber Top, Adaptable Sliding Brackets w/ Single Post Leg	\$3,334
UL-SB-9100	Carbon Fiber Top, Adaptable Sliding Brackets w/ Double Support Leg	\$3,668
AT-4000	Self Supporting Arm Table Lexan Top With Frame, Standard Mounting Brackets w/ No Leg	\$1,331
AT-4100	Self-Supporting Arm Table Lexan Top with Frame, Standard Mounting Brackets w/ Single Post Leg	\$2,105
AT-4200	Self-Supporting Arm Table: Lexan Top with Frame, Standard Mounting Brackets w/ Double Support Leg	\$2,171
AT-4300	Self-Support Arm Table: Lexan Top with Frame, Under Pad Mounting Bracket w/ Single Post Leg	\$2,105
AT-4400	Self-Supporting Arm Table: Lexan Top with Frame, Under Pad Mounting Bracket w/ Double Support Leg	\$2,288
OPTIONS		
PD-100	Foam Pad, 2" thick - 30" x 20" x 2" Contoured.	\$207
PD-125	Foam Pad: 3" thick - 30" x 20" x 3" Contoured.	\$240
PD-150	Foam Pad, 4" thick - 30" x 20" x 4" Contoured.	\$257
SB-9000	Conversion Kit: Convert table with fixed brackets to the Sliding Brackets.	\$869
K-705	Universal Under-Pad Mounting Piece for Ultra-Light: Provides extra stability. Flat, triangular piece that attaches to Ultra-Light Spec. Table & slides under the O.R. Table or stretcher pad. Knobs included.	\$229
SL-2001	Optional Single Post Leg	\$918
SL-2002	Optional Double Support Leg	\$1,014
SL-2003	Optional "T" Post Leg	\$951
ATL-6001	Detachable Leg Adapter: Adaptor to allow a Single or Double Support Leg to be completely detached from the Table.	\$251
K-3650	NOTE: Traction can NOT be used without an Optional Leg. Traction Package: Detachable traction rollerbar and detachable traction cup, set of weights, four stainless steel finger traps with chain, four S-hooks, and carrying case.	\$752
STR-1000	Specialty Table Rack: wall-mount table storage unit for ISI Hand Tables	\$357
REPLACEMENT PARTS		
UL-500L	Universal Bracket Left Complete	\$531
UL-500R	Universal Bracket Right Complete	\$531
UL-502B	Rail Clamp with knob	\$237
KB-600 UL	Small Star Knob - Pkg of 2 (ultra light)	\$40
KB-600 SS	Small Star Knob - Pkg of 2 (self supporting)	\$40



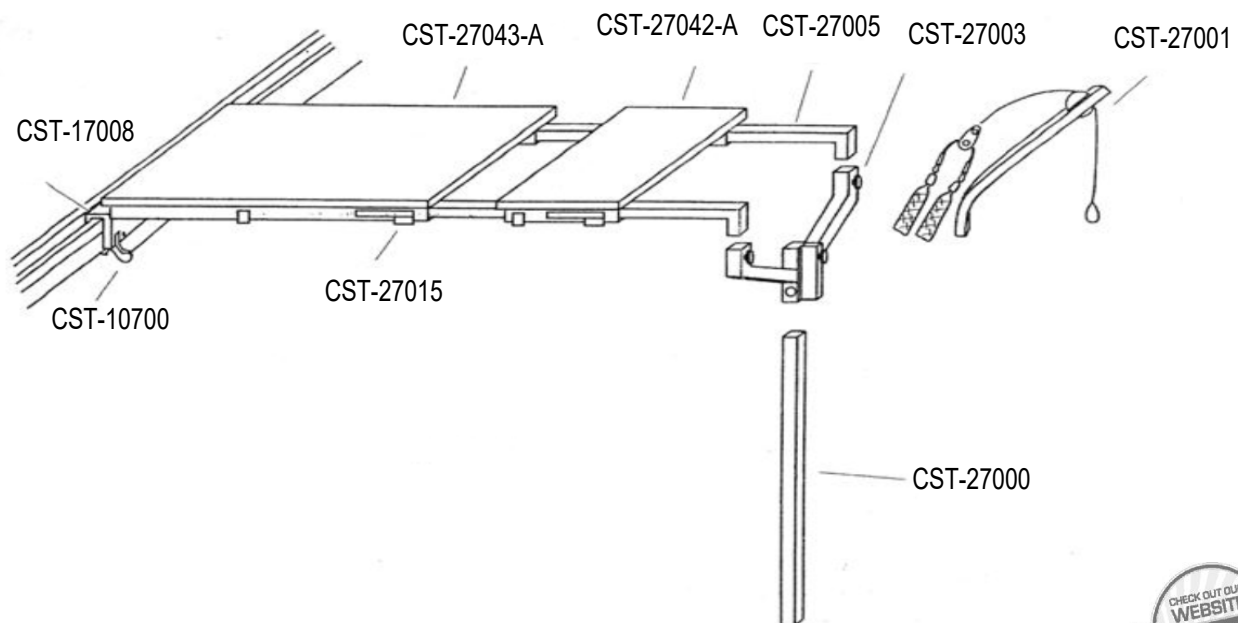
30 DAY TRIALS AVAILABLE

ISI Products | (800) 537-1945

Carter Hand Surgery Table System



Stock No.	DESCRIPTION	Price
CST-2007	Carter Hand Surgery Table System: Includes Carter Hand Surgery Table with extension, traction system, leg, 1" pads, and storage case.	\$3,668
REPLACEMENT PARTS AND ACCESSORIES		
CST-10700	Carter Table Repair Kit: Replacement piece for mounting latch.	\$146
CST-27039	Black Table Pad, Large; 1" thick.	\$195
CST-27039-2	Black Table Pad, Large; 2" thick.	\$250
CST-27039-3	Black Table Pad, Large; 3" thick.	\$306
CST-27040	Black Table Pad for Extension; 1" thick.	\$96
CST-27040-2	Black Table Pad for Extension; 2" thick.	\$145
CST-27040-3	Black Table Pad for Extension; 3" thick.	\$196
0350	½ Pound Weight (Tan)	\$21
0352	1 ½ Pound Weight (Red)	\$25
0354	2 ½ Pound Weight (Blue)	\$28
0357	5 Pound Weight (Gold)	\$36
CST-17019	Black Plastic Knobs for Y piece, leg. Package of 4.	\$40
K3278	Extra Small (Pediatric) Stainless Finger Trap	\$64
K3280	Small Stainless Finger Trap	\$64
K3285	Medium Stainless Finger Trap	\$64
K3290	Large Stainless Finger Trap	\$64
CST-27003	Y piece Assembly with Knobs.	\$802
CST-27001	Bent Traction Arm Assembly	\$509
CST-27005	L-Arm Assembly (Set of 2)	\$473
CST-17008A	Mounting Plate Assembly (includes release lever assembly)	\$841
CST-27000	Support Leg	\$256
CST-27043-A	Main Table Assembly (L-Arms and Mounting Bracket not included)	\$925
CST-27042-A	Extension Table Assembly	\$611
***** NEW PRODUCT *****		
CST-2023	Pediatric Carter Hand Table - 12 x 18 Acrylic CST Table - 1" and 3" pad Optional	\$2,400
CST-2023-1	Pediatric Carter Hand Table Pad 1" thick	\$185
CST-2023-3	Pediatric Carter Hand Table Pad 3" thick	\$275



ISI Free-Standing Arm Table

30 DAY TRIALS AVAILABLE



Stock No.	DESCRIPTION	Price
NT-3700	Free-Standing Arm Table Lexan top, height adjustable base, and locking casters. (No Pad)	\$1,776
NT-CF-4700	Carbon Fiber Free-Standing Arm Table Carbon fiber top, height adjustable base, and locking casters. (No Pad)	\$2,950
OPTIONS		
PD-100	Foam Pad: 2" - 30" x 20" x 2"	\$207
PD-125	Foam Pad: 3" - 30" x 20" x 3"	\$240
PD-150	Foam Pad: 4" - 30" x 20" x 4"	\$257
K-705	Universal Under-Pad Mounting Piece: Flat, triangular mounting piece that attaches to the Table and slides under the O.R. table or stretcher pad. Patient's weight then holds the mounting piece in place. Includes knobs.	\$229
NT-3750	Traction Package: Detachable traction rollerbar and detachable traction cup, set of weights, four stainless steel finger traps with chain, four S-hooks, and storage/carrying case.	\$752
REPLACEMENT PARTS AND ACCESSORIES		
K3160	Traction Rollerbar: Detachable traction rollerbar.	\$319
TCR-101 SQ	Detachable Traction Cup: Metal cup for mounting to leg for addition of Traction Rollerbar	\$377
0350	½ Pound Weight (Tan)	\$21
0352	1 ½ Pound Weight (Red)	\$25
0354	2 ½ Pound Weight (Blue)	\$28
0357	5 Pound Weight (Gold)	\$36
K3270	Traction S-Hooks: Stainless steel hook for connecting finger trap chains to weights. Set of two per package.	\$54
TC-100	Traction Chain with rings: Stainless steel chain that connects finger traps to traction S-hooks. Rings on both ends. Price per chain.	\$14
K3278	Metal finger trap. Extra-small (pediatric). Sold individually.	\$64
K3280	Metal finger trap. Small. Sold individually.	\$64
K3285	Metal finger trap. Medium. Sold individually.	\$64
K3290	Metal finger trap. Large. Sold individually.	\$64
K3300	Set of Metal finger traps, 1 of each size.	\$247
Caster 3pk	Free Standing Casters (pack of 3)	\$124



NT-CF-4700



NT-3700

The Hunter Table

H-2018005	Carbon Fiber Top (14 x 30) with Single Post Leg and 2" Pad	\$2,645
-----------	--	---------



ISI Surgical Table That Best Suits Your Needs – Quick Reference Guide

Description	Advanced Universal K Table	Universal K Table	Carter Hand Surgery Table	Ultra-Light Specialty Table	Self Supporting Arm Table	Free-Standing Arm Tables
Table Dimensions	22 1/4" x 36" long (curved inset is 18 1/2" wide)	22 1/4" x 36" long (curved inset is 18 1/2" wide)	15 1/2" wide x 21" long ext. piece: 15 1/2" x 6" long	20" x 30" long (curved inset is 16 1/2" wide)	20" x 30" long (curved inset is 16 1/2" wide)	20" x 30" long (curved inset is 16 1/2" wide)
Carbon Fiber Top	•			•		optional
Lexan Top		•			•	•
Acrylic			•			
Fluoroscopy	•	•	•	•	•	•
Weight	18 pounds	23 pounds	35 pounds in case	9.5 pounds	18 pounds	33 pounds
Telescoping Leg	•	•	•	optional	optional	•
Height Range	28-35"	28-35"	24-34"	28-35"	28-35"	28-45"
Max. Weight Limit	50 pounds	50 pounds	50 pounds	50 pounds	50 pounds	50 pounds
Side Rail Mount	•	•	•	•	•	
Under-Pad Mount	optional	optional		optional	optional	optional
Traction System	optional	optional	•	optional	optional	optional
2", 3", and 4" pad	•	•	1" pad included: 2"- 3" optional	•	•	•
Free Evaluation	•	•	•	•	•	•

Free Evaluations

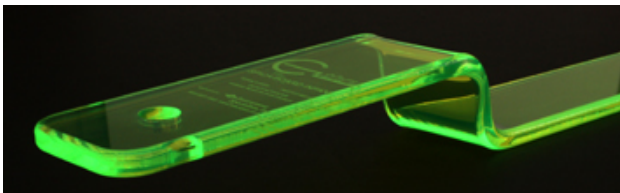
For more information on ISI's 30 day, no-charge evaluations in your O.R., call 1-800-537-1945 or visit www.ISIsurgery.com



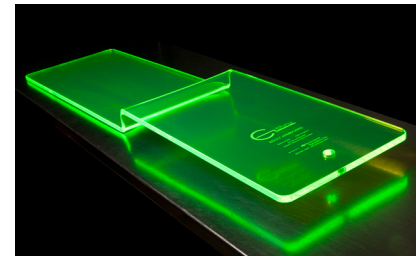
C-Thru Hand Table and O.R. Products



Stock No.	C-THRU ARMBOARD	Price
C-902717	C-Thru Armboard, Operative Platforms are: 20" x 11" on one end and 25" x 11" on the other. Overall length is 45"	\$708
OPTIONS FOR C-THRU ARMBOARD		
C-100-1	1" Foam Pad, Dimensions 20" x 11" x 1" thick.	\$90
C-100-2	2" Foam Pad, Dimensions 20" x 11" x 2" thick.	\$107
C-902100	Single, telescoping leg.	\$385
C-THRU HAND TABLE		
C-902155	C-Thru Hand Table, Operative Platforms are: 20" x 15½" on one end and 25" x 15½" on the other. Overall length is 45"	\$886
OPTIONS FOR C-THRU HAND TABLE		
C-150-1	1" Foam Pad, Dimensions 20" x 15.5" x 1" thick.	\$112
C-150-2	2" Foam Pad, Dimensions 20" x 15.5" x 2" thick.	\$129
C-902100	Single Post telescoping leg	\$385
DESCRIPTION		
C-902801	C-Thru Double Foot Board	\$752
C-902925	C-Thru Arm Ladder Set (ladder with platform)	\$975
C-902926	Replacement platform for Arm Ladder (platform only)	\$329
C-902500	C-Thru Leg Ladder Set (ladder with one platform)	\$975
C-902501	Replacement platform for Leg Ladder (platform only)	\$418
C-902601	C-Thru Cast Board with Lanyard	\$118
C-902901	C-Thru Leg Triangle	\$619
C-902715	C-Thru Infant Spica Board	\$418
C-902900	C-Thru Wall Mount for Storage	\$221
C-902220	C-Thru Hand Table Bundle - Hand Table, 2" Pad, Single Post Leg, Wall Mount for storage	\$1,470
REPLACEMENT PARTS		
C-902100-1	PLUG - C-Thru Single Post Leg - Magnetic	\$140



C-902715



C-902717



C-902901



DigiGrip and Finger Traps

Stock No.	DESCRIPTION	Price
DG-7550	DigiGrip System: Includes DigiGrip unit, Traction Strap and set of 2 S-hooks.	\$387
DG-3000	DigiGrip Traction Device	\$347
WS1820	Traction Strap	\$70
K3270	Traction S-hooks, stainless steel, 2 per pkg.	\$54
NC-100	Nylon Cord, 2 foot long nylon cord with clip on each end.	\$15
DG-9500	Vertical Traction Package: (1) Digi Grip (2) S-Hooks (1) Traction Strap, Weights (1) 1 1/2 lb (1) 2 1/2 lb (1) Full set Nylon Finger Traps (XS, S, M, L, XL)	\$512
DG-9600	Vertical Traction Package: (1) Digi Grip (2) S-Hooks (1) Traction Strap, Weights (1) 1 1/2 lb (1) 2 1/2 lb (1) Full set of Stainless Steel Traps (XS, S, M, L)	\$696
DG-5000	Vertical Traction Package: (1) Digi Grip (2) S-Hooks (1) Traction Strap, 4 Weights 1/2 lb, 1 1/2 lb, 2 lb, 5 lb (25) nylon Finger Traps (5 each XS, S, M, L, XL)	\$1074

Nylon Finger Traps

Nylon finger traps are available in 5 sizes and are non-sterile

Stock No.	DESCRIPTION	Price
K-100-XS	Nylon Finger Trap, Extra-Small	\$22
K-150-XS	Nylon Finger Trap, Extra-Small, pkg of 5	\$101
K-200-S	Nylon Finger Trap, Small	\$22
K-250-S	Nylon Finger Trap, Small, pkg of 5	\$101
K-300-M	Nylon Finger Trap, Medium	\$22
K-350-M	Nylon Finger Trap, Medium, pkg of 5	\$101
K-400-L	Nylon Finger Trap, Large	\$22
K-450-L	Nylon Finger Trap, Large, pkg of 5	\$101
K-500-XL	Nylon Finger Trap, Extra-Large	\$22
K-550-XL	Nylon Finger Trap, Extra-Large, pkg of 5	\$101
K-650	Adult Set, S, M, M, M, L	\$101
K-750	Pedi Set, XS, XS, S, S, S	\$101
K-850	Set of 5, one of each size, XS, S, M, L, XL	\$101
K-950	Sizing Kit; one of each size on a ring.	\$111
K-D100-XS	Double Nylon Finger Trap, Extra-Small	\$38
K-D200-S	Double Nylon Finger Trap, Small	\$38
K-D300-M	Double Nylon Finger Trap, Medium	\$38
K-D400-L	Double Nylon Finger Trap, Large	\$38
K-D500-XL	Double Nylon Finger Trap, Extra Large	\$38
K-1776	Patriotic Finger Trap Set of 5 (1 Small, 3 Medium, 1 Large)	\$101

Stainless Steel Finger Traps

Stainless steel finger traps are available in 4 different sizes and are non-sterile.

Stock No.	DESCRIPTION	Price
K3278	Stainless Steel Finger Trap, Extra-Small	\$64
K3280	Stainless Steel Finger Trap, Small	\$64
K3285	Stainless Steel Finger Trap, Medium	\$64
K3290	Stainless Steel Finger Trap, Large	\$64
K3300	Set of Stainless Steel Finger Traps, 1 Large, 2 Medium, 1 Small	\$247
K3278-BC	Stainless Steel Finger Trap, Extra-Small With 10" Ball Chain	\$69
K3280-BC	Stainless Steel Finger Trap, Small With 10" Ball Chain	\$69
K3285-BC	Stainless Steel Finger Trap, Medium With 10" Ball Chain	\$69
K3290-BC	Stainless Steel Finger Trap, Large With 10" Ball Chain	\$69
K3300-BC	Set of Stainless Steel Finger Traps, 1 Large, 2 Medium, 1 Small With 10" Ball Chain	\$263

Soft Grip Weights

Stock No.	DESCRIPTION	Price
0350	½ Pound Weight (Tan)	\$21
0352	1 ½ Pound Weight (Red)	\$25
0354	2 ½ Pound Weight (Blue)	\$28
0357	5 Pound Weight (Gold)	\$36

Alumi-Hands and DuraHands



The Alumi-Hand is for single use.
The DuraHand is reusable.

***** **NEW PRODUCT** *****

ISI Alumi-Hand^o PLUS



Alumi-Hand

*Alumi-Hands are sterilized, individually wrapped, and Latex-free. ***Samples available upon request.**

*Copies of Sterilization Certifications are available upon request.

Stock No.	DESCRIPTION	Price
760-8	Large Alumi-Hands; 8 per box Dimensions of hand: 9 1/2" x 8 1/2"	\$281
761-8	Extra-Large Alumi-Hands; 8 per box Dimensions of hand: 13" x 10 1/2"	\$352
760-Single	Large Alumi-Hands; 1 per pkg Dimensions of hand: 9 1/2" x 8 1/2"	\$41
761-Single	Extra-Large Alumi-Hands; 1 per pkg Dimensions of hand: 13" x 10 1/2"	\$49
KH-860-8	Large Alumi-Hand PLUS; 8 per box Dimensions of hand: 10" x 10"	\$374
KH-860-SINGLE	Large Alumi-Hand PLUS; 1 per pkg Dimensions of hand: 10" x 10"	\$52

DuraHand

*DuraHands are non-sterile, individually packaged, Lead-free and Latex-free.

Stock No.	DESCRIPTION	Original Price
DH-100	DuraHand, Pedi Dimensions of hand: 7 1/4" x 6 3/4" - 1 per pkg	\$179
DH-225	DuraHand, Large Dimensions of hand: 9 1/2" x 8 1/2" - 1 per pkg	\$184
DH-350	DuraHand, Extra-Large Dimensions of hand: 13" x 10 1/2" - 1 per pkg	\$190

Carter Arm Elevation Pillow

The Carter Arm Elevation Pillow is used to properly elevate a patient's hand after surgery and for upper limb fracture outpatient care. Made of soft, durable, wrinkle-free foam.



Stock No.	DESCRIPTION	Price
CAP-2008	Carter Arm Pillow, adult, sold individually.	\$67
CAP-2008-4H	Carter Arm Pillow, adult, pack of 4	\$248
CAP-2008-8H	Carter Arm Pillow, adult, pack of 8	\$494
CAP-2008-PEDI	Carter Arm Pillow, pedi size, sold individually.	\$60



Stock No.	Amount	Price
-----------	--------	-------

Detergents

MPD: MULTI-PURPOSE DETERGENT

M5100	1 gallon	\$32
M5110	Case of 4 gallons	\$114
M5120	5 gallons - Two 2.5 Gallon kegs	\$135
M5125	15 gallon keg	\$378
M5127	30 gallon keg	\$709
M5130	55 gallon barrel	\$1,213
M5140	Pallet of 48 cases	\$3,932

SUDS-RITE: LOW-SUDSING DETERGENT FOR PRESSURIZED CLEANING UNITS

SR6000	1 gallon	\$25
SR6100	Case of 4 gallons	\$88
SR6120	5 gallons - Two 2.5 Gallon kegs	\$103
SR6125	15 gallon keg	\$290
SR6130	30 gallon barrel	\$544

DUO-KLENZ: COMBINATION LOW-SUDSING DETERGENT WITH NON-SILICONE LUBRICANT

DK3110	1 gallon	\$32
DK3100	Case of 4 gallons	\$114
DK3120	5 gallons - Two 2.5 Gallon Kegs	\$135
DK3125	15 gallon keg	\$378
DK3130	30 gallon keg	\$709
DK3135	55 gallon barrel	\$1,213

Lubricants

INSTRA-GLIDE SOAK: INSTRUMENT LUBRICANT

IG8705	1 gallon	\$32
IG8715	Case of 4 gallons	\$114
IG8720	5 gallons - Two 2.5 Gallon kegs	\$135
IG8725	15 gallon keg	\$378
IG8727	30 gallon keg	\$709

INSTRA-GLIDE JET: INSTRUMENT LUBRICANT FOR PRESSURIZED CLEANING UNITS

J4100	1 gallon	\$29
J4110	Case of 4 gallons	\$103
J4120	5 gallons - Two 2.5 Gallon kegs	\$121
J4125	15 gallon keg	\$341
J4130	30 gallon barrel	\$639

Stock No.	Amount	Price
-----------	--------	-------

Rust & Stain Removers

SSK-80: RUST & STAIN REMOVER FOR USE IN THE ULTRASONIC

S5200	1 gallon	\$35
S5210	Case of 4 gallons	\$125
S5220	5 gallons - Two 2.5 Gallon kegs	\$149
S5225	15 gallon keg	\$416
S5227	30 gallon keg	\$781
S5230	55 gallon barrel	\$1,335
S5240	Pallet of 48 cases	\$4,325

CSK-81: RUST & STAIN REMOVER FOR SOAKING INSTRUMENTS

C5300	1 gallon	\$35
C5310	Case of 4 gallons	\$125
C5320	5 gallons - Two 2.5 Gallon kegs	\$149
C5325	15 gallon keg	\$416
C5327	30 gallon keg	\$781
C5330	55 gallon barrel	\$1,335
C5340	Pallet of 48 cases	\$4,325

Enzymatic Detergents

HEMAWAY TRI-MAX: ENZYMATIC DETERGENT

H7605	1 gallon	\$83
H7615	Case of 4 gallons	\$299
H7620	5 gallons - Two 2.5 Gallon kegs	\$352
H7625	15 gallon keg	\$994
H7627	30 gallon keg	\$1,863

HEMAWAY ENZYMATIC FOAM

H7700	22 oz bottles/case of 6	\$81
-------	-------------------------	------

HEMAWAY TRI-MAX ULTRA

U7605	1 gallon	\$212
U7615	Case of 4 gallons	\$763
U7620	5 gallons - Two 2.5 Gallon kegs	\$900
U7625	15 gallon keg	\$2,540
U7627	30 gallon keg	\$4,761

ENDOTERG ENZYMATIC SCOPE DETERGENT

ET9500	1 gallon	\$83
ET9515	Case of 4 gallons	\$299
ET9520	5 gallons - Two 2.5 Gallon kegs	\$352
ET9525	15 gallon keg	\$994
ET9527	30 gallon keg	\$1,863



ISI Surgical Instrument Brushes & Brush Sets

Stock No.	STANDARD BRUSHNEST AND BRUSHES	Quantity	Price
BN-9600	BrushNest set; wall hanger w/18 different brushes.	1	\$307
BN-9650	Re-order set of one of each "standard" brush.	18	\$120
BN-100	BrushNest alone.	1	\$196
B-2782	French Scale Measuring Gauge	1	\$8
STANDARD BRUSHES / Overall Length & Diameter			
BN-130-1	21" tube brush, 20 French, 1/4" dia., 4" bristle length.	3	\$32
BN-130-3	21" tube brush, 30 French, 3/8" dia., 4" bristle length.	3	\$32
BN-56740	20" tube brush, 24 French, 5/16" dia., 3 1/2" bristle length.	3	\$33
BN-660-1	6 1/4" tube brush, 9 French, 1/8" dia., 2 1/4" bristle length.	6	\$32
BN-660-5	6 1/4" tube brush, 24 French, 5/16" dia., 2 1/4" bristle length.	6	\$32
BN-661	5" tube brush, 21 French, 9/32" dia., 1 1/2" bristle length.	6	\$23
BN-662	5" tube brush, 9 French, 1/8" dia., 1 1/2" bristle length.	6	\$47
BN-663	5" tube brush, 14 French, 3/16" dia., 1 1/2" bristle length.	6	\$42
BN-670	6 1/4" tube brush, 20 French, 1/4" dia., 2" bristle length.	6	\$29
BN-671	6 1/4" tube brush, 30 French, 3/8" dia., 2" bristle length.	6	\$26
BN-940-1	12" tube brush, 20 French, 1/4" dia., 4" bristle length.	3	\$25
BN-940-3	12" tube brush, 30 French, 3/8" dia., 4" bristle length.	3	\$22
BN-SX3198	16" tube brush, 34 French, 1/2" dia., 3" bristle length.	3	\$39
BN-SX3923	13" tube brush, 34 French, 1/2" dia., 3" bristle length.	3	\$29
BN-069	Nylon brush--"tooth" brush style	12	\$39
BN-83112	Brass brush--"tooth" brush style	12	\$39
BN-83111	Stainless steel brush--"tooth" brush style	12	\$39
BN-3000	Nylon nail scrub brush	3	\$20
BN-37PNYST	Pkg of 6/Double-headed tooth brush style, one side nylon and one side stainless steel.	6	\$39
BN-37PNYBR	Pkg of 6/Double-headed tooth brush style, one side nylon and one side brass.	6	\$39
OPTIONAL BRUSHES / Overall Length & Diameter			
BN-4100	Pipe cleaners; 6" long, 3/16" diameter.	36	\$12
BN-4200	Pipe cleaners; 12" long, 3/16" diameter.	24	\$12
BN-4200-50	Pkg of 50 - Pipe Cleaners: 12" long, 3/16" diameter.	50	\$22
BN-4200-100	Pkg of 100 - Pipe Cleaners: 12" long, 3/16" diameter.	100	\$37
BN-4300	Pipe cleaners; 12" long, 3/8" diameter.	24	\$15
BN-4300-50	Pkg of 50 - Pipe Cleaners: 12" long, 3/8" diameter.	50	\$23
BN-4300-100	Pkg of 100 - Pipe Cleaners: 12" long, 3/8" diameter.	100	\$44
BN-130-18C	21" tube brush, 9 French, 1/8" diameter, 2" bristle length.	3	\$39
BN-56738	14" tube brush, 7/8" diameter, 4" bristle length.	3	\$29
MICRO BRUSHES / Overall Length & Diameter			
B-4FR10	Micro Brush, 4 French diameter, 10" overall length.	3	\$50
B-5FR10	Micro Brush, 5 French diameter, 10" overall length.	3	\$53
B-6FR10	Micro Brush, 6 French diameter, 10" overall length.	3	\$50
B-7FR10	Micro Brush, 7 French diameter, 10" overall length.	3	\$42
B-8FR10	Micro Brush, 8 French diameter, 10" overall length.	3	\$50
B-9FR10	Micro Brush, 9 French diameter, 10" overall length.	3	\$39
B-10FR10	Micro Brush, 10 French diameter, 10" overall length.	3	\$44
B-12FR10	Micro Brush, 12 French diameter, 10" overall length.	3	\$42
LARGER MICRO BRUSHES / Overall Length & Diameter			
B-14FR16	Micro Brush, 14 French diameter, 16" overall length.	3	\$44
B-14FR24	Micro Brush, 14 French diameter, 24" overall length.	3	\$42
B-20FR16	Micro Brush, 20 French diameter, 16" overall length.	3	\$42
B-29FR16	Micro Brush, 29 French diameter, 16" overall length.	3	\$47



Warranty Information for ISI Specialty Surgical Tables and ISI O.R. Products

PRODUCT WARRANTY: Instrument Specialists, Inc warrants this product to be free from defects in workmanship and materials, under normal use and conditions, for a period of one (1) year from the original invoice date. Improper use, neglect in care, or modifications of any kind will void any and all warranties of the product(s). Shipping and handling fees are to be paid for by the customer. ISI agrees, at its option during the warranty period, to repair any defect in material or workmanship or to furnish a repaired or refurbished product of equal value in exchange without charge (except for a fee for shipping, handling, packing, return postage, and insurance which will be incurred by the customer). Such repair or replacement is subject to verification of the defect or malfunction and proof of purchase as confirmed by showing the model number and serial number on the original dated sales receipt.

Any product upgrade or modification initiated by Instrument Specialists, Inc. does not affect or extend the original product warranty. This product may be comprised of new, refurbished, and recycled materials. All refurbished or recycled components meet ISI's stringent new product specifications.

All prices subject to change. Please call 1.800.537.1945 to verify current pricing.



**INSTRUMENT
SPECIALISTS, INC.**

800-537-1945

830-249-9535

Fax: 830-249-9433

isi@ISIsurgery.com

32390 IH-10 West

Boerne, Texas 78006

ISIsurgery.com

orders@ISIsurgery.com

